

SLO320

Outdoor Light Transmitter



Product Description

SLO320 is an electronic light transmitter that converts a lux measurement into an electric signal of 4-20 mA or 0-10 V.

It has two sensitivity ranges to suit different light levels: 0-500 lx (e.g. for controlling outdoor lighting), and 0-20 klx (for controlling sunshade systems).

The transmitter is delivered as a complete unit, comprised of the sensing element and an amplifier mounted in a housing that is resistant to ultra-violet light.

The transmitter is intended for wall mounting outdoors.

The sensitivity peak is for light at an angle of incidence of 0° to the perpendicular.

The sensor has the same spectrum sensitivity peak as the human eye.

The transmitter is connected with a 2-wire cable when configured for 4 to 20mA, which serves both as power supply and for signal transmission, and 3 wires for a 0 to 10Vdc output configuration.

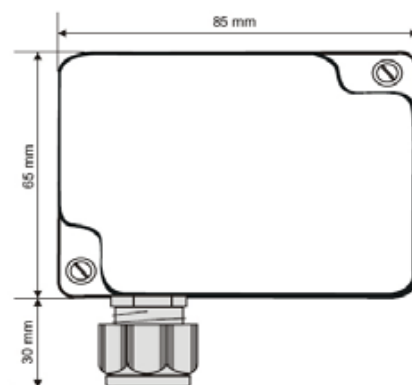
Available Products

Part Number	Model
006920640	SLO320

Specifications

Range: jumper 0 to 500 lx	0 to 500 lx
Range: jumper 0 to 20 klx	0 to 20 klx
Signal output	4-20 mA or 0-10 V
Housing material	Polyamide plastic
Enclosure rating	IP 65
Weight	100 g (0.22 lb), weight includes standard packaging, in brackets
Power	24 Vac \pm 10%, 15-36 Vdc
Accuracy	\pm 5% at ambient temp. of 25 °C
Wavelength at max. sensitivity	600 nm (standard light A/2854K color temp.)
Temperature dependence	\pm 5% at ambient temp. of 25 °C and $U_c = 24$ V
Load resistance	>50 k Ω
Current consumption	Typical
Range 0-400 lx	8 mA
Range 0-20 klx	13 mA
Ambient temperature	-20 to 70 °C (-4 to 158 °F)
Standards (EMC)	EN 61326-1, EN 62326-2-3

Dimensions (mm)

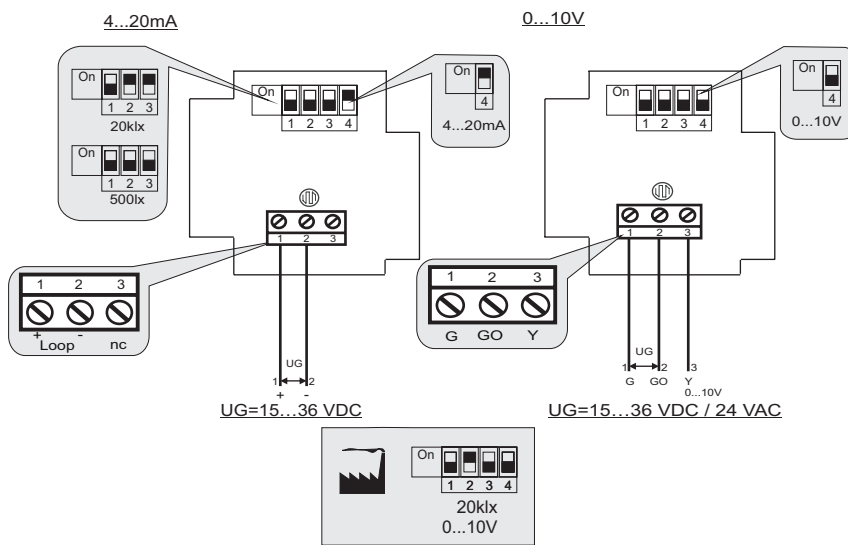


Wiring

Cable: 0.2-1.5 mm²



Note: Avoid contact with the sensor terminals if the connection wires are live.



Adjustment

The unit is supplied ready calibrated with a specified range and precision.

No further calibration is required.

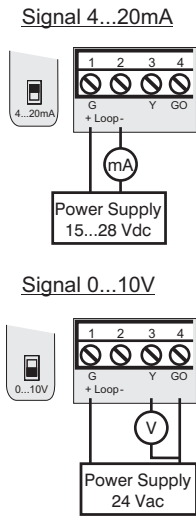
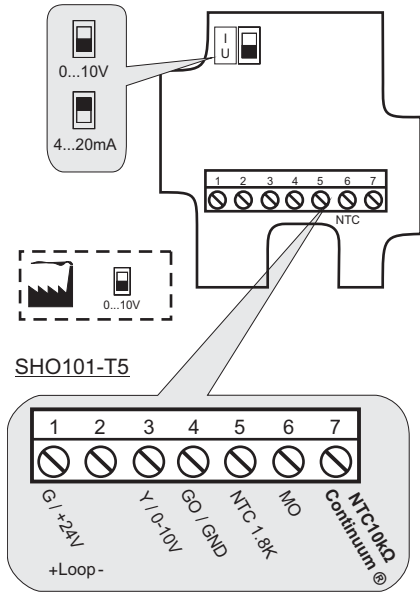
Wiring

4 ... 20 Mode



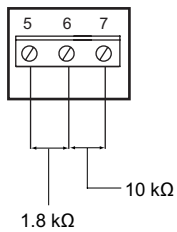
IMPORTANT: Do not touch the sensor tip. Ensure correct wiring.

4...20mA / 0...10V 0...100% RH



UG=15...36 VDC / 24 VAC ± 10%

Temperature Thermistor



North America (USA): +1 888 444 1311
 Europe, Middle East & Africa (Sweden): +46 10 478 2000
 Asia Pacific (Singapore): +65 6484 7877
 product.support@schneider-electric.com
 schneider-electric.com

