

# Wireless Sensors

## ZigBee Pro Door/Window Contact SED-WDS-P

The wireless door and window contact is an accessory for the SE8000 Series Room Controllers. Detecting when doors and windows are open, it is ideal for use in hotels, schools, dormitories, military barracks and other similar facilities.



# Door/Window Sensor Features



A tiny and easy to install wireless contact switch that provides the “open” and “closed” status information of doors and windows to enable Room Controllers to further optimize management of HVAC and other systems.

## Introduction

The SED-WDS-P door and window contact switch communicates wirelessly with SE8000 Series Room Controllers, reporting when doors and windows are opened or closed. Using this information, the SE8000s advanced occupancy management control sequences regulate HVAC equipment and other connected systems to maximize energy savings without compromising comfort.

In hotels and other hospitality facilities, the contact switch enables the automated set-back or stand-by of HVAC equipment and other systems to reduce unnecessary energy consumption.

## Use and compatibility

The SED-WMS-P is compatible with all SE8000 Series Room Controllers equipped with a VCM8000V5045P ZigBee Pro® communication module.

## Installation

The sensor requires no communication or power wiring. Communication is wireless using ZigBee Pro. Power is provided by batteries included in the product's box. Not having to pass or connect cabling makes installation fast and easy, reducing labor costs on deployment.

- Battery life up to 5 years
- Battery status is communicated to the SE8000

## Communication

- ZigBee Pro compatible with SE8000 Room Controllers

## Integration

The motion status and battery status can be accessed through the display of SE8000 Room Controllers. They are also visible in SmartStruxure™ solution (StruxureWare™ Building Operation) when the SE8000 is integrated via BACnet® MS/TP or in SmartStruxure Lite solution (StruxureWare Building Expert) when the SE8000 is integrated via ZigBee Pro. It is not recommended to use ZigBee networking between MPMs for an installation where ZigBee sensors will be used. The ZigBee sensors will not function unless bound to the ZigBee network coordinator directly.



### AT A GLANCE

- Compact size
- Three color LED event indication
- Long battery life (up to 5 years)
- Easy battery replacement
- ZigBee Pro wireless low power communication
- Easy pairing with SE8000
- Reports on : Open/Closed status of doors and windows



## Door/Window Sensor

### Specifications

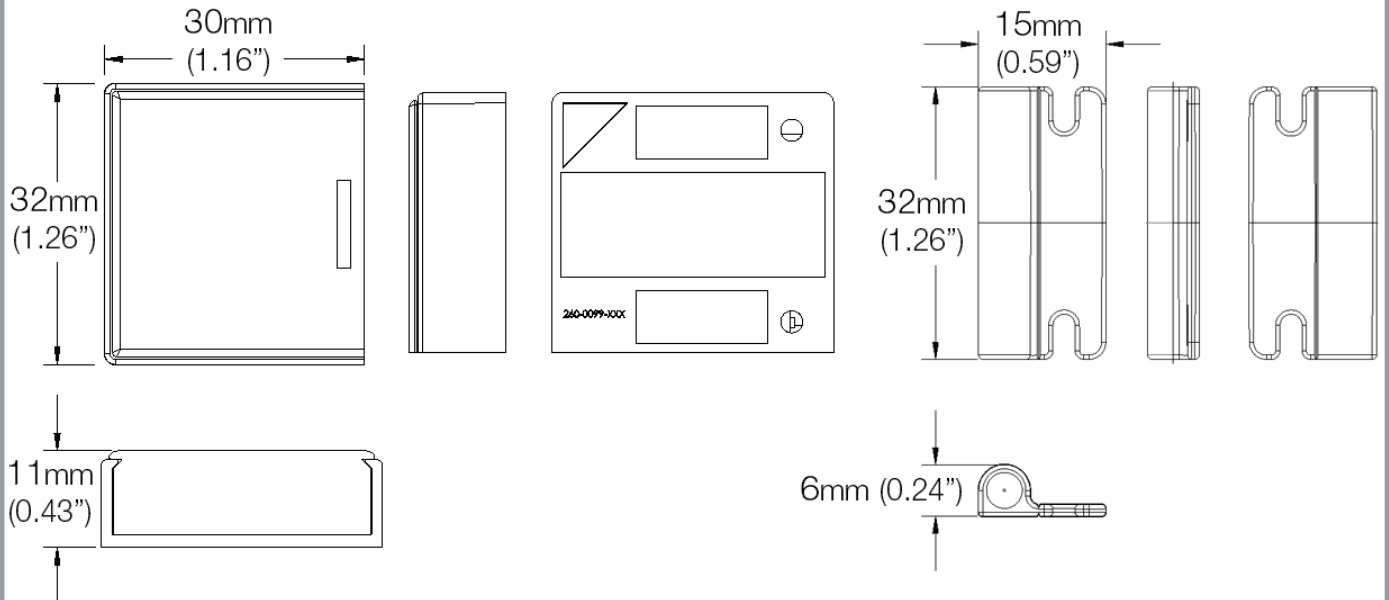
Sensor Dimensions	32mm W x 30mm H x 11mm D (1.26in W x 1.16in H x 0.43in D)
Magnet Dimensions	15mm W x 32mm H x 6mm D (0.59" W x 1.26" H x 0.24" DSS)
Color	White
Weight	11g (0.38oz) with battery
Communication	ZigBee, HA1.2 Compatible
Communication Range	Up to 40ft (12m) open field 300ft (100m)
Battery Voltage	3.0VDC Lithium
Battery Cell	CR2032 (recommended Panasonic CR2032)
Battery Life	Up to 5 years
Ambient Temperature	-10°C to +50°C (+14°F to +122°F)

#### Certification



 Check with your local government for instruction on disposal of these products.

### Dimensions



## Ordering Information

### Part numbers

SED-WDS-P-5045	ZigBee Pro ceiling-mounted motion sensor <b>Not compatible with SE8000 Room Controllers purchased before November 2014.</b> <b>Contact Sales Representative for further details.</b>
----------------	--