

# RP-C-EXT-IS-BLE

## SpaceLogic™ RP Controller Expansion Modules

EcoStruxure™ Building



### Insight-Sensor

#### Introduction

SpaceLogic\* RP-C-EXT-IS-BLE Insight-Sensor connects to the SpaceLogic RP controllers and is used for people counting, motion detection, and luminosity and sound level monitoring, and supports Bluetooth Low Energy based applications such as beaconing and remote control communication.

The Insight-Sensor provides real-time occupant information that enables immediate control of HVAC for optimized energy consumption and indoor environment, for example, by adapting the fan speed to occupancy level or turning off the lights when unoccupied.

The Insight-Sensor is connected to the RP controller using an RJ45 type quick connector.

The Insight-Sensor's three flexible mounting brackets (springs) enable quick and easy installation on a suspended ceiling tile. The Insight-Sensor also comes with a mounting ring, which allows the device to be installed in open ceiling applications.

The Insight-Sensor is part of the RP controller expansion modules product range. The Insight-Sensor can be combined with the RP controller expansion modules for lighting and blind control to provide a connected room solution.

\* Formerly known as SmartX.

# RP-C-EXT-IS-BLE

## Features

The SpaceLogic Insight-Sensor has the following features:

- Power and communications through the room bus
- People counting through thermal image sensor with software configurable detection areas
- Motion detection through passive infrared sensor
- Luminosity measurement through ambient light sensor
- Sound pressure level measurement through an analog acoustic sensor, which enables monitoring of sound levels in both enclosed and open spaces
- Temperature and humidity measurement provided for dew point calculation
- Bluetooth Low Energy for beaconing applications such as indoor positioning - a service to be provided by third party Beaconing follows standard iBeacon profile - compatible with multiple indoor positioning providers
- Bluetooth Low Energy for wireless connection to RP-C-RC-BLE remote control
- Status LED for the device
- Rotary switch for address configuration

### Room bus

The RP controller room bus allows RP controller expansion modules to be connected to the controller for people counting, motion detection, luminosity and sound pressure level measurements, Bluetooth Low Energy based applications, and control of electric lights and window blinds.

The RP-C Pro controller room bus supports up to nine connected RP controller expansion modules with the following restrictions:

- Maximum of two DALI light modules
- Maximum of two SMI blind modules
- Maximum of seven Multi-sensor or Insight-Sensor devices

The RP-C Advanced controller room bus supports up to six connected RP controller expansion modules with the following restrictions:

- Maximum of two DALI light modules

- Maximum of two SMI blind modules
- Maximum of four Multi-sensor or Insight-Sensor devices

Maximum total length of the room bus is 72 m (236 ft).

### People counting

The thermal image sensor senses the heat radiation from each individual. The device applies advanced image processing to the thermal images, and the result is a people count number, which is periodically transmitted to the RP controller. The information from the device cannot be used to identify people.

Using the EcoStruxure Building Operation software, the thermal image sensor's detection area can be configured to reduce overlapping areas between two devices to minimize the risk of a person being counted twice. The detection area can also be adjusted to exclude heat radiating objects such as radiators and windows heated by solar rays, and to exclude corridors and other adjacent areas through which people just pass by.

### Sound pressure level measurement

The Insight-Sensor measures the sound pressure level using an analog solution, without involving any digital audio processing, codec, or recording. Each measured value is an average value of one second of analog integration. The measurements are performed every two minutes. The device is not capable of recording or streaming audio samples.

### Bluetooth Low Energy beacon and remote control

The Insight-Sensor is a Bluetooth Low Energy (BLE) device. The Insight-Sensor support for Bluetooth beacon enables nearby mobile devices with a specific app installed to interact when in close proximity to the broadcasting Insight-Sensor. The Bluetooth beacon can be used for services such as indoor positioning of the mobile device. The service and mobile app need to be provided by a third party. The Bluetooth connection can also be used for communication with the RP-C-RC-BLE remote control, which makes it possible to control the lighting, blinds, and air conditioning in a zone of an office building.

## Part Numbers

Product	Part number
RP-C-EXT-IS-BLE	SXWREISBLE10001

# RP-C-EXT-IS-BLE

## Specifications

### RP-C-EXT-IS-BLE

#### Electrical

DC input supply voltage 24 VDC  
Powered by the RP controller through the room bus (RJ45)

Maximum power consumption 0.35 W

#### Environment

Ambient temperature, operating 0 to 50 °C (32 to 122 °F)

Ambient temperature, storage -20 to +70 °C (-4 to +158 °F)

Humidity 20 to 90 % RH non-condensing

#### Material

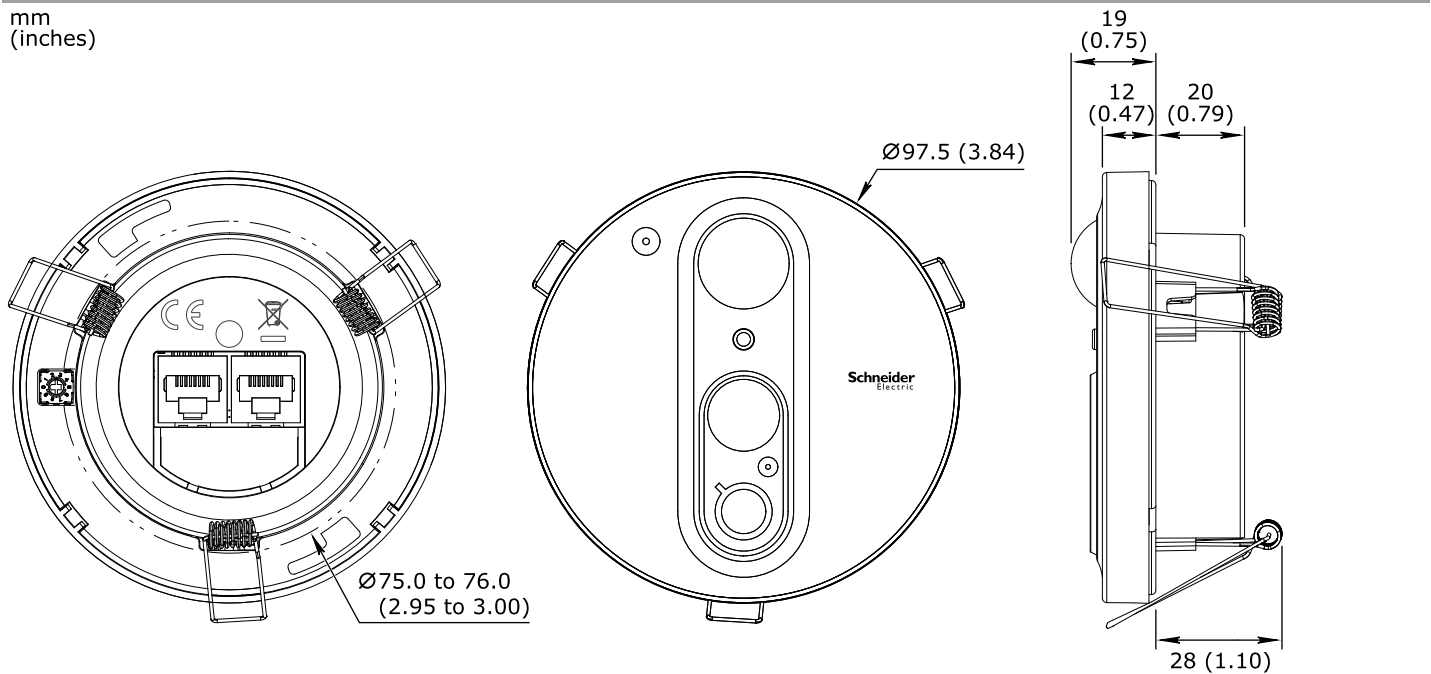
Plastic flame rating UL94 V-0

Ingress protection rating IP 20

Cover color Signal white (RAL9003)

#### Mechanical

mm  
(inches)



Overall external diameter 97.5 mm (3.84 in.)

Diameter of mounting clearance hole 75.0 to 76.0 mm (2.95 to 3.00 in.)

External washer thickness 12 mm (0.47 in.)

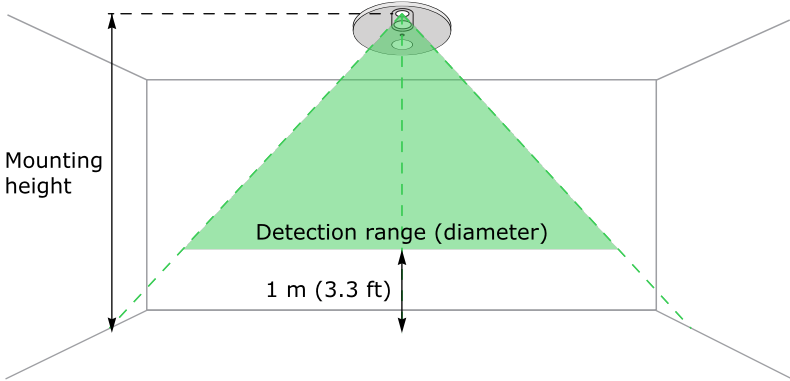
Overall external thickness 19 mm (0.75 in.)

Internal thickness 20 mm (0.79 in.)

# RP-C-EXT-IS-BLE

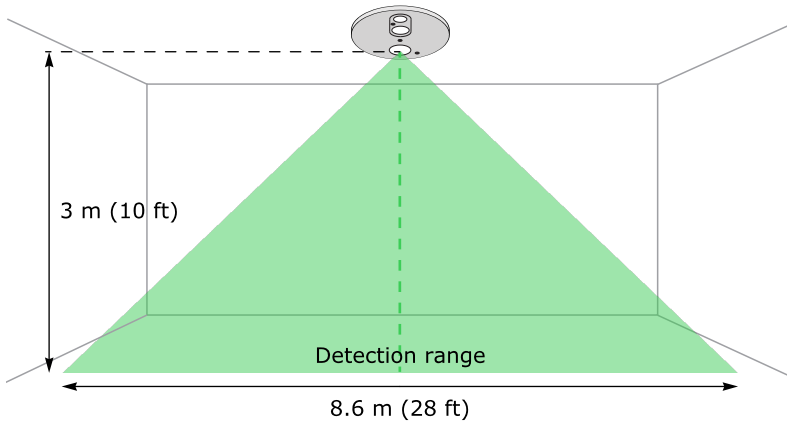
Overall internal depth	28 mm (1.10 in.)
Weight, Insight-Sensor with mounting springs (3x)	0.088 kg (0.194 lb)
Weight, Insight-Sensor with mounting ring	0.098 kg (0.216 lb)
Installation	Plastic unit to be fitted flush in a suspended ceiling tile with a thickness of up to 45 mm (1.77 in.). The mounting springs enable quick and easy installation in a suspended ceiling. The mounting ring allows the device to be installed in a ceiling with drywall anchors or to a 102 mm (4 in.) junction box.
Compatibility	
EcoStruxure BMS server communication EcoStruxure Building Operation	version 4.0.1 and later
Agency compliances	
Emission	RCM; BS/EN 61000-6-3; BS/EN 50491-5-2; FCC Part 15, Subparts B and C, Class B
Immunity	BS/EN 61000-6-2; BS/EN 50491-5-3
Radio	EN 300 328 V2.1.1
Safety standards	BS/EN 60730-1; BS/EN 60730-2-11; BS/EN 50491-3; UL 916 C-UL US Listed
FCC ID	DVE-IS1
ISED certification number	IC: 24775-IS1
Fire performance in air-handling spaces <sup>a</sup> a) The SpaceLogic Insight-Sensor is approved for plenum applications.	UL 2043
Communication ports	
Room bus	RS-485 Dual RJ45 ports for daisy-chain configurations Use a Cat 5 (or higher) cable Maximum total length of the room bus: 72 m (236 ft)
Room bus protection	Transient voltage suppressors on communication and power signals
Wireless connectivity	
Bluetooth Low Energy	
Communication protocol	Bluetooth® 5.1 Low Energy compliant
Frequency	2.402 to 2.480 GHz
Maximum communication distance	Line-of-sight: 50 m (164 ft)
Maximum output power	3 dBm
Antenna	Integrated antenna
Beacon protocol	iBeacon
Hardware	
Main microcontroller	
CPU type	ARM Cortex-M4 single-core
Frequency	38.4 MHz
SRAM (embedded)	256 KB

# RP-C-EXT-IS-BLE

Flash memory (embedded)	1024 KB
Flash memory (serial)	16 MB
<b>Sub microcontroller</b>	
CPU type	ARM Cortex-M4 single-core
Frequency	80 MHz
SRAM (embedded)	320 KB
Flash memory (embedded)	1 MB
Flash memory (serial)	2 MB
<b>Additional hardware</b>	
Status indicator	LED (green and red) that shows the status of the device
Address switch	Rotary switch 0 to 9
Set button	Push-button switch
<b>People counting</b>	
Sensor	Longwave infrared (LWIR) microbolometer
Detection range	See image and table below.
	
<b>Sensor mounting height</b>	<b>Sensor detection range (diameter)<sup>a</sup></b>
3.0 m (10 ft)	7.0 m (22 ft)
2.7 m (9 ft)	5.8 m (19 ft)
2.5 m (8 ft)	5.2 m (17 ft)
a) At the level of 1 m (3.3 ft) above the floor.	
Average counting accuracy <sup>a</sup>	Up to 90%
a) Correct installation and configuration required.	
<b>Motion detection</b>	
Sensor	Quad-type passive infrared (PIR) sensor with Fresnel lens
Detection range	See image and table below.

# RP-C-EXT-IS-BLE

Continued



## Sensor mounting height

3.0 m (10 ft)  
2.7 m (9 ft)  
2.5 m (8 ft)

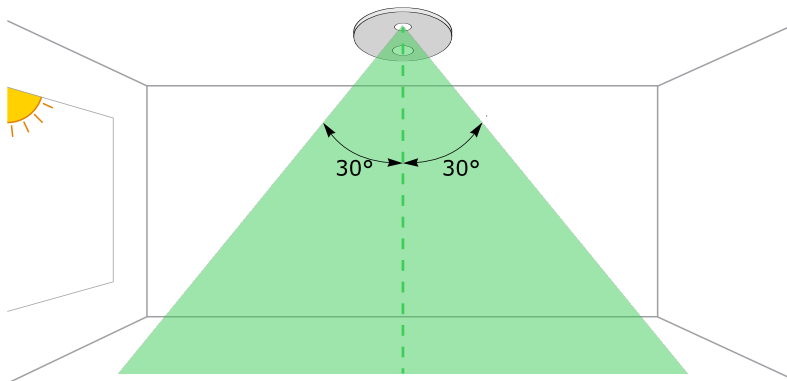
## Sensor detection range (diameter)

8.6 m (28 ft)  
8.0 m (26 ft)  
7.4 m (24 ft)

## Luminosity measurements

Sensor

Ambient Light Sensor (ALS)



Spectral response

Human eye

Luminosity range

0 to 10,000 lux

Field of view

30 degrees from vertical

## Sound pressure level measurements

Sensor

Microelectromechanical system (MEMS) acoustic sensor

Dynamic pressure

35 to 79 dBA

Accuracy

+/- 3 dBA

Bandwidth

10 Hz to 8 kHz

## Temperature measurements

Range

0 to 50 °C (32 to 122 °F)

# RP-C-EXT-IS-BLE

*Continued*

Accuracy	+/-1 °C (+/-1.8 °F)
Humidity measurements	
Range	0 to 100% RH
Accuracy	+/-4% (within the range of 20 to 80% RH) +/-6% (outside the range of 20 to 80% RH)

# RP-C-EXT-IS-BLE

## Regulatory Notices



### Federal Communications Commission

FCC Rules and Regulations CFR 47, Part 15, Class B

This device complies with part 15 of the FCC Rules. Operation is subject to the following two conditions: (1) This device may not cause harmful interference. (2) This device must accept any interference received, including interference that may cause undesired operation.

FCC ID: DVE-IS1

### Industry Canada

This Class B digital apparatus complies with Canadian ICES-003.

Cet appareil numérique de la classe B est conforme à la norme NMB-003 du Canada.

IC: 24775-IS1



### Regulatory Compliance Mark (RCM) - Australian Communications and Media Authority (ACMA)

This equipment complies with the requirements of the relevant ACMA standards made under the Radiocommunications Act 1992 and the Telecommunications Act 1997. These standards are referenced in notices made under section 182 of the Radiocommunications Act and 407 of the Telecommunications Act.



UL 916 Listed products for the United States and Canada, Enclosed Energy Management Equipment. UL file E80146.



### CE - Compliance to European Union (EU)

2014/53/EU Radio Equipment Directive (RED)

2011/65/EU Restriction of Hazardous Substances (RoHS) Directive

2015/863/EU amending Annex II to Directive 2011/65/EU

This equipment complies with the rules, of the Official Journal of the European Union, for governing the Self Declaration of the CE Marking for the European Union as specified in the above directive(s).



### WEEE - Directive of the European Union (EU)

This equipment and its packaging carry the waste of electrical and electronic equipment (WEEE) label, in compliance with European Union (EU) Directive 2012/19/EU, governing the disposal and recycling of electrical and electronic equipment in the European community.



### UK Conformity Assessed

S.I. 2017/1206 - Radio Equipment Regulations 2017

S.I. 2012/3032 - Restriction of the Use of Certain Hazardous Substances in Electrical and

Electronic Equipment Regulations 2012

S.I. 2013/3113 - Waste Electrical and Electronic Equipment Regulations 2013

This equipment complies with the rules, of the UK regulations, for governing the UKCA Marking for the United Kingdom specified in the above directive(s).

[www.se.com/buildings](http://www.se.com/buildings)

Life Is On

**Schneider**  
Electric