

Product datasheet

Specifications



energy sensor, PowerTag Monoconnect 63A 1P+Wire top and bottom position

A9MEM1520

Main

Range of product	PowerLogic
Product name	PowerTag A9 M63
Product or component type	Energy sensor
Poles	1P
Maximum current [Imax]	63 A
[Ib] basic current	10 A
Starting current	40 mA
Saturation current	130 A
Product specific application	Load monitoring Overload alarm Cost allocation Circuit monitoring Energy management
Concentrator compatibility	Acti9 Smartlink SI B Acti9 Smartlink SI D Acti9 PowerTag Link C Acti9 PowerTag Link Acti9 PowerTag Link HD Wiser IP module EcoStruxure Panel Server Universal EcoStruxure Panel Server Advanced PrismaSet Active
Range compatibility	Acti 9 Acti9 iKQE RCBO Multi9 Multi9 C60 Multi9 Multi9 ID Multi9 Multi9 C32N Multi9 Multi9 C65 Acti 9 Acti9 iID Acti 9 Acti9 iID K Acti 9 Acti9 iK60 Acti 9 Acti9 iKQ Acti 9 Acti9 K60 Acti 9 Acti9 Reflex iC60 Acti 9 Acti9 iC65 Acti 9 Acti9 DT60 Acti 9 Acti9 iC60 single terminal
Type of measurement	Voltage Power factor Active energy Current Active power
Accuracy class	Class 1 current conforming to IEC 61557-12 Class 0.5 voltage conforming to IEC 61557-12 Class 1 active power conforming to IEC 61557-12 Class 1 active energy conforming to IEC 61557-12 Class 1 power factor conforming to IEC 61557-12
Mounting location	Top or bottom

Mounting support	On circuit breaker
Product destination	Switchboard
Event management	Voltage loss with measured current at voltage loss
Transmission support medium	Radio frequency 2.4...2.4835 GHz conforming to IEEE 802.15.4
Emission power	10 mW

Complementary

Mounting mode	By screws (terminals)
Electrical connection (voltage sensing & power supply)	Connector tooth and wire
Cable cross section	1 rigid cable 1.5...16 mm ² 2 stranded cable 1.5...2.5 mm ² 2 rigid cable 1.5...2.5 mm ² 1 stranded cable 1.5...16 mm ²
Cable length	1 m
Supply voltage	200...240 V AC, +/- 20 %
Cable composition	1 x 0.33 mm ²
Network frequency	50 Hz 60 Hz
Maximum power consumption	1 VA
Standards	IEC 61557-12 IEC 61010-1 IEC 61010-2-030 IEC 61326-1 ETSI EN 300 328 ETSI EN 301 487-1
Height	16.5 mm
Width	18 mm
Depth	43 mm
Product weight	16.4 g
Colour	White (RAL 9003)

Environment

Quality labels	CE
Directives	2014/53/EU - radio equipment directive
Operating altitude	0...2000 m
Ambient air temperature for operation	-25...60 °C
Ambient air temperature for storage	-40...85 °C
Overvoltage category	III conforming to IEC 61010-1
Measurement category	Category III conforming to IEC 61010-2-030
IP degree of protection	IP20 conforming to IEC 60529
IK degree of protection	IK05
Pollution degree	3
Relative humidity	0...95 % at 45 °C conforming to IEC 60721-3-3
Vibration resistance	3M4 conforming to IEC 60721-3-3
Electromagnetic compatibility	Industrial electromagnetic environment conforming to IEC 61326-1 Radiated EMC conforming to ETSI EN 301 489-17 Electromagnetic emission conforming to IEC 62311
Environmental characteristics	Dustproof class 3S3 conforming to IEC 60721-3-3 Salt mist class 3C2 conforming to IEC 60721-3-3

Packing Units

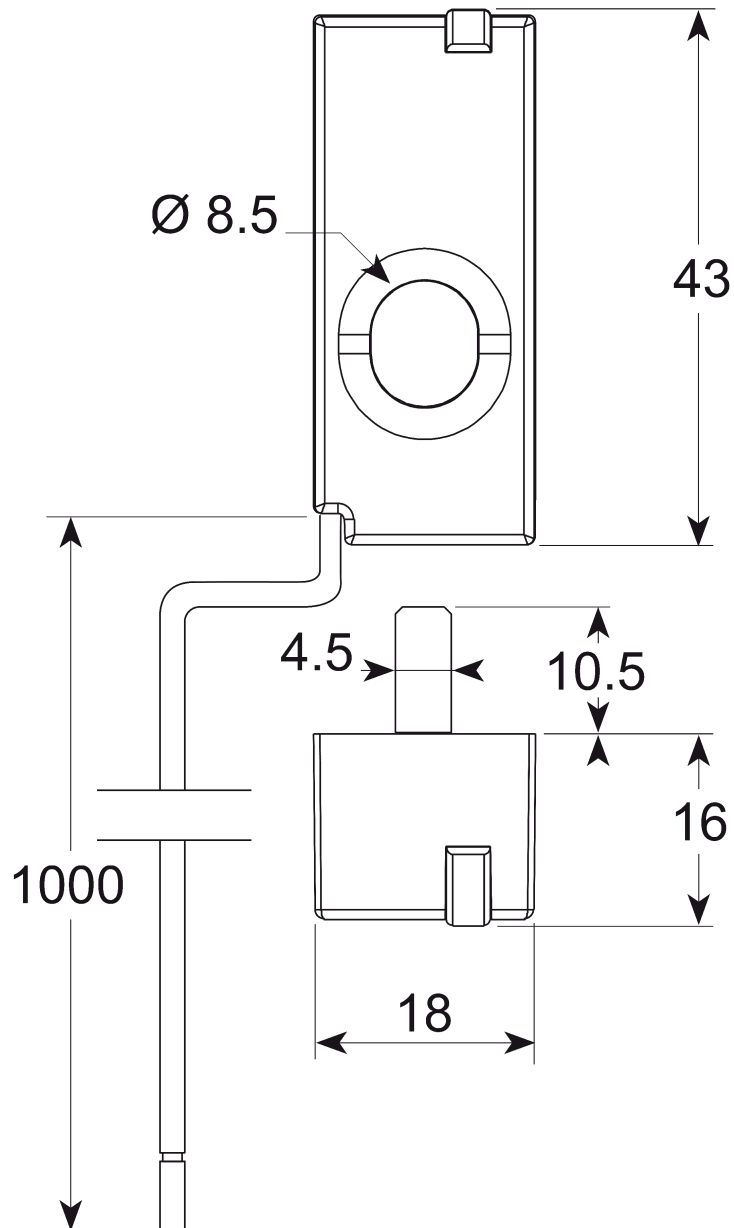
Unit Type of Package 1	PCE
Number of Units in Package 1	1
Package 1 Height	5.000 cm
Package 1 Width	6.200 cm
Package 1 Length	8.500 cm
Package 1 Weight	45.000 g
Unit Type of Package 2	S02
Number of Units in Package 2	48
Package 2 Height	15.000 cm
Package 2 Width	30.000 cm
Package 2 Length	40.000 cm
Package 2 Weight	2.470 kg

Offer Sustainability

Sustainable offer status	Green Premium product
REACH Regulation	REACH Declaration
EU RoHS Directive	Compliant EU RoHS Declaration
Mercury free	Yes
China RoHS Regulation	China RoHS declaration Product out of China RoHS scope. Substance declaration for your information
RoHS exemption information	Yes
Environmental Disclosure	Product Environmental Profile
Circularity Profile	End of Life Information
WEEE	The product must be disposed on European Union markets following specific waste collection and never end up in rubbish bins

Dimensions

mm



Recommended replacement(s)