



DEPARTMENT OF REGULATORY AND ECONOMIC RESOURCES (RER)  
BOARD AND CODE ADMINISTRATION DIVISION

MIAMI-DADE COUNTY  
PRODUCT CONTROL SECTION  
11805 SW 26 Street, Room 208  
Miami, Florida 33175-2474  
T (786) 315-2590 F (786) 315-2599  
[www.miamidade.gov/economy](http://www.miamidade.gov/economy)

## NOTICE OF ACCEPTANCE (NOA)

**Ceramica Verea**  
**Lanza S/N 15685**  
**Mesia (Coruña) Spain**

### SCOPE:

This NOA is being issued under the applicable rules and regulations governing the use of construction materials. The documentation submitted has been reviewed and accepted by Miami-Dade County RER - Product Control Section to be used in Miami-Dade County and other areas where allowed by the Authority Having Jurisdiction (AHJ).

This NOA shall not be valid after the expiration date stated below. The Miami-Dade County Product Control Section (in Miami-Dade County) and/or the AHJ (in areas other than Miami-Dade County) reserve the right to have this product or material tested for quality assurance purposes. If this product or material fails to perform in the accepted manner, the manufacturer will incur the expense of such testing and the AHJ may immediately revoke, modify, or suspend the use of such product or material within their jurisdiction. RER reserves the right to revoke this acceptance, if it is determined by Miami-Dade County Product Control Section that this product or material fails to meet the requirements of the applicable building code.

This product is approved as described herein, and has been designed to comply with the Florida Building Code including the High Velocity Hurricane Zone of the Florida Building Code.

### DESCRIPTION: Verea Barrel Tile Grade 1

**LABELING:** Each unit shall bear a permanent label with the manufacturer's name or logo, city, state and following statement: "Miami-Dade County Product Control Approved", unless otherwise noted herein.

**RENEWAL** of this NOA shall be considered after a renewal application has been filed and there has been no change in the applicable building code negatively affecting the performance of this product.

**TERMINATION** of this NOA will occur after the expiration date or if there has been a revision or change in the materials, use, and/or manufacture of the product or process. Misuse of this NOA as an endorsement of any product, for sales, advertising or any other purposes shall automatically terminate this NOA. Failure to comply with any section of this NOA shall be cause for termination and removal of NOA.

**ADVERTISEMENT:** The NOA number preceded by the words Miami-Dade County, Florida, and followed by the expiration date may be displayed in advertising literature. If any portion of the NOA is displayed, then it shall be done in its entirety.

**INSPECTION:** A copy of this entire NOA shall be provided to the user by the manufacturer or its distributors and shall be available for inspection at the job site at the request of the Building Official.

This NOA renews and revises NOA# 16-0921.09 and consists of pages 1 through 7.  
The submitted documentation was reviewed by Alex Tigera.



**NOA No.: 18-0119.03**  
**Expiration Date: 03/13/23**  
**Approval Date: 03/22/18**  
**Page 1 of 7**

## ROOFING ASSEMBLY APPROVAL

**Category:** Roofing  
**Sub Category:** Roofing Tiles  
**Material:** Clay

### 1. SCOPE

This approves a roofing system using **Verea Barrel Tile Grade 1** manufactured by **Ceramica Verea** in **La Coruña, Spain** and is distributed by **Ceramica Verea, USA Corp.**, as described in Section 2 of this Notice of Acceptance. For locations where the pressure requirements, as determined by applicable Building Code, do not exceed the design pressure values obtained by calculations in compliance with RAS 127 using the values listed in section 4 herein. The attachment calculations shall be done as a moment based system.

### 2. PRODUCT DESCRIPTION

#### Manufactured by Applicant

	<u>Dimensions</u>	<u>Test Specifications</u>	<u>Product Description</u>
Verea Barrel Tile Grade 1	L = 19.5" W = 8.15"	ASTM C1167 Type I Grade 1	High profile two-piece clay roof tile. For direct deck, adhesive set applications.
Trim Pieces	Length: varies Width: varies varying thickness	ASTM C1167	Accessory trim, clay roof pieces for use at hips, rakes, ridges and valley terminations manufactured for each tile profile.
Verea Hurricane Clip	2.95" x 0.47" x 0.09" diam.		(Optional) stainless steel clip.

### 2.1 MANUFACTURING LOCATION

#### 2.1.1. Mesia (La Coruña) España



NOA No.: 18-0119.03  
Expiration Date: 03/13/23  
Approval Date: 03/22/18  
Page 2 of 7

## 2.2 EVIDENCE SUBMITTED

<u>Test Agency</u>	<u>Test Identifier</u>	<u>Test Name/Report</u>	<u>Date</u>
PRI Construction Materials Technologies	CVER-012-02-01	TAS 101	02/19/14
American Test Lab of South Florida	RT0517.01-11	TAS 101	06/13/11
	RT0621.02-16	ASTM C 1167	09/09/16
	RT0202.01-18	ASTM C 1167	02/10/18
IBA Consultants, Inc.	4709-2	ASTM C 1167	11/12/07
	4709-4	TAS 101	12/21/07
Redland Technologies	7161-03 Appendix III	PA 102 & PA 102(A)	Dec. 1991
	Letter	PA 108 (Nail-On)	Aug. 1994
	P09647-01	PA 108 (Mortar Set)	July 1994
	P0402	Withdrawal Resistance Testing of screw vs. smooth shank nails	Sept. 1993
The Center for Applied Engineering, Inc.	25-7094-(3, 6 & 9)	PA 102	Oct. 1994
	25-7120-(1 & 2)	PA 102	Nov. 1994
	25-7183-(3 & 4)	PA 102	Feb. 1995
	25-7214-(3, 4, &7)	PA 102	March, 1995
	25-7804-4	PA 102	Sep. 1996



### 3. LIMITATIONS:

- 3.1 Fire classification is not part of this acceptance.
- 3.2 For mortar or adhesive set tile applications, a static field uplift test shall be performed in accordance with TAS 106.
- 3.3 Applicant shall retain the services of a Miami-Dade County Certified Laboratory to perform quarterly test in accordance with TAS 112, appendix 'A'. Such testing shall be submitted to the Miami-Dade County Product Control Section for review.
- 3.4 Minimum underlayment shall be in compliance with the applicable Roofing Applications Standards listed section 4.1 herein.
- 3.5 30/90 hot mopped underlayment applications may be installed perpendicular to the roof slope unless stated otherwise by the underlayment material manufacturers published literature.
- 3.6 This acceptance is for wood deck applications. Minimum deck requirements shall be in compliance with applicable building code.

### 4. INSTALLATION

- 4.1 Verea Barrel Tile Grade 1 and its components shall be installed in strict compliance with Roofing Application Standard RAS-118, RAS 119, and RAS-120.
- 4.2 Data For Attachment Calculations.

<b>Table 1: Average Weight (W) and Dimensions (l x w )</b>			
<b>Tile Profile</b>	<b>Weight-W (lbf)</b>	<b>Length-l (ft)</b>	<b>Width-w (ft)</b>
Verea Barrel Tile Grade 1	5.5	1.625	0.679

<b>Table 2: Aerodynamic Multipliers - <math>\lambda</math> (ft<sup>3</sup>)</b>		
<b>Tile Profile</b>	<b><math>\lambda</math> (ft<sup>3</sup>) Batten Application</b>	<b><math>\lambda</math> (ft<sup>3</sup>) Direct Deck Application</b>
Verea Barrel Tile Grade 1	N/A	0.26

<b>Table 3: Restoring Moments due to Gravity - <math>M_g</math> (ft-lbf)</b>						
<b>Tile Profile</b>	<b>2":12"</b>	<b>3":12"</b>	<b>4":12"</b>	<b>5":12"</b>	<b>6":12"</b>	<b>7":12" or Greater</b>
Verea Barrel Tile Grade 1	Direct Deck	Direct Deck	Direct Deck	Direct Deck	Direct Deck	Direct Deck
	4.19	4.11	4.01	3.87	3.69	3.47



**Table 4: Attachment Resistance Expressed as a Moment -  $M_f$  (ft-lbf)  
for Mechanically Attached Systems**

Tile Profile	Fastener Type	Direct Deck (min 15/32" plywood)	Direct Deck (min. 19/32" plywood)	Battens
Verea Barrel Tile Grade 1	2-10d Ring Shank Nails	28.6	41.2	n/a
	1-10d Smooth or Screw Shank Nail	5.1	6.8	n/a
	2-10d Smooth or Screw Shank Nails	6.9	9.2	n/a
	1 #8 Screw	20.7	20.7	n/a
	2 #8 Screw	43.2	43.2	n/a
	1-10d Smooth or Screw Shank Nail (Field Clip)	23.1	23.1	n/a
	1-10d Smooth or Screw Shank Nail (Eave Clip)	29.3	29.3	n/a
	2-10d Smooth or Screw Shank Nails (Field Clip)	27.6	27.6	n/a
2-10d Smooth or Screw Shank Nails (Eave Clip)	38.1	38.1	n/a	

**Table 5: Attachment Resistance Expressed as a Moment -  $M_f$  (ft-lbf)  
for Mechanically Attached Systems**

Tile Profile	Fastener Type	Direct Deck (min 15/32" plywood)	Direct Deck (min. 19/32" plywood)	Battens
Verea Barrel Tile Grade 1	2-10d Ring Shank Nails <sup>1</sup>	33.1	48.1	n/a

<sup>1</sup> Installation with a 4" tile headlap and fasteners are located a min. of 2½" from head of tile.

**Table 6: Attachment Resistance Expressed as a Moment -  $M_f$  (ft-lbf)  
for Single Patty Adhesive Set Systems**

Tile Profile	Tile Application	Minimum Attachment Resistance
Verea Barrel Tile Grade 1	ICP Adhesives Polyset AH-160	118.31 <sup>1</sup>

<sup>1</sup> Medium paddy placement weight 34.6 grams of ICP Adhesives Polyset AH-160 for the pan tiles. 17.3g on each side of the cap tiles.



Table 7: Attachment Resistance Expressed as a Moment - $M_f$ (ft-lbf) for Mortar Set Systems		
Tile Profile	Tile Application	Minimum Attachment Resistance
Verea Barrel Tile Grade 1	Quikrete Roof Tile Mortar, FL-15	45.38

**5. LABELING**

5.1 All tiles shall bear the imprint or identifiable marking of the manufacturer's name or logo as detailed below, or following statement: "Miami-Dade County Product Control Approved".

**VEREA SPAIN CE**

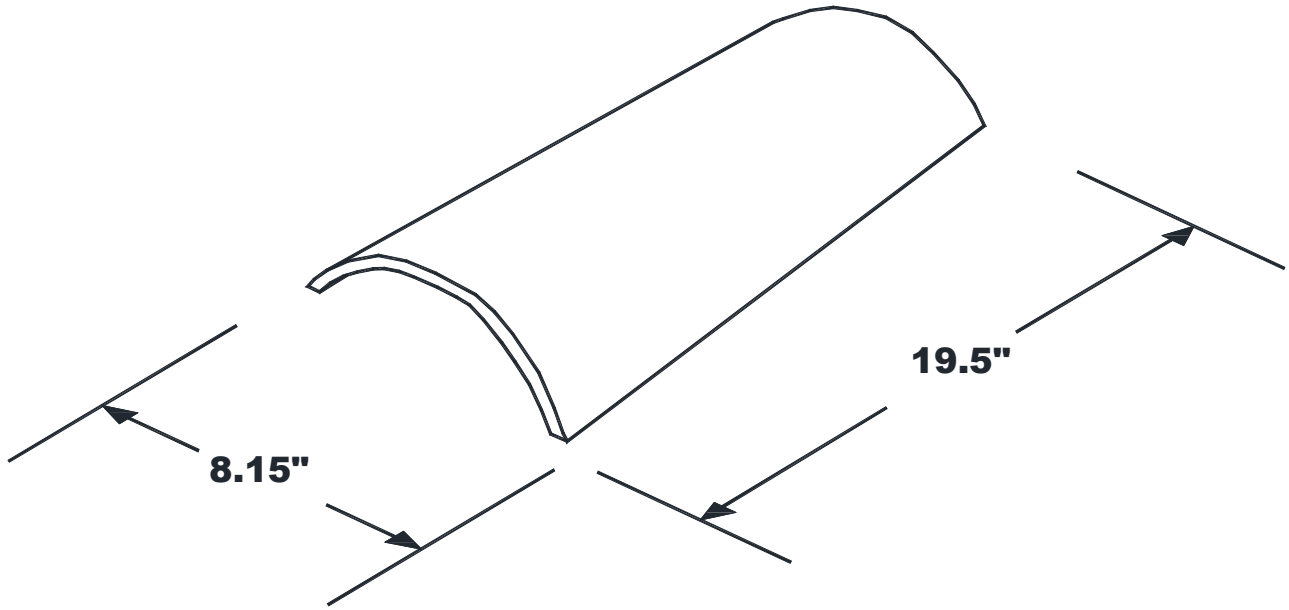
**LABEL FOR VERA BARREL TILE GRADE 1  
(LOCATED ON THE SIDE OF TILE)**

**6. BUILDING PERMIT REQUIREMENTS:**

As required by the Building Official or the applicable Building Code in order to properly evaluate the installation of this system. This Notice of Acceptance on its own cannot be used to obtain a building permit.



**PROFILE DRAWING**



**VEREA BARREL TILE GRADE 1**



**VEREA HURRICANE CLIP**

*NOTE: USE OF CLIP IS OPTIONAL. REFER TO MANUFACTURERS PUBLISHED INSTRUCTIONS FOR INSTALLATION DETAIL*

**END OF THIS ACCEPTANCE**



NOA No.: 18-0119.03  
Expiration Date: 03/13/23  
Approval Date: 03/22/18  
Page 7 of 7

## **GREEN SUSTAINABLE ATTRIBUTES (GSA)**

---

**SCOPE:** This document is solely for the purpose of verification of Sustainable Attributes of construction materials. The documentation submitted has been reviewed by Miami-Dade County Product Control Section.

<b>G.1 - SOLAR REFLECTANCE AND THERMAL EMMITANCE</b>					
<b><u>Component Name</u></b>	<b><u>Initial Reflectance</u></b>	<b><u>Aged Reflectance</u></b>	<b><u>Initial Emmittance</u></b>	<b><u>Aged Emmittance</u></b>	<b><u>Solar Reflectance Index (SRI)</u></b>
1. Verea Barrel Tile Grade 1	0.39	Pending	0.83	Pending	41

